

Photovoltaic Solar Panels 200W, 220W, 240W Sunipod SPV-200W, SPV-220W, SPV-240W

Superior quality modules designed for long operational life.

HIGHLIGHTS

- Modules using high conversion efficiency solar poly-crystalline cells.
- Guaranteed power output with tolerance of $\pm 5\%$.
- 25-year limited power output warranty.*
- Meets IEC 61215/IEC 61730/TUV Safety Class II standards.
- Front Face: Tempered Glass (Low Iron).
- Frame: Anodized Aluminum.
- Junction Box: Weather Proof Nylon 6.
- All modules are supplied with screwless hollow section frames.



SPECIFICATIONS

	SPV-200W	SPV-220W	SPV-240W
Electrical Parameters – All data refers to STC (AM1.5, 1000W/m ² , 25°C)			
Maximum Power (Pm)	200Wp	220Wp	240Wp
Open Circuit Voltage (Voc)	32V	36V	36V
Short Circuit Current (Isc)	8.33A	8.15A	8.89A
Maximum Power Voltage (Vmp)	26V	29V	29V
Maximum Power Current (Imp)	7.69A	7.59A	8.28A
Maximum System Voltage	1000V	1000V	1000V
NOCT	45°C \pm 2°C	45°C \pm 2°C	45°C \pm 2°C
Operating Temperature Range	-40°C to +85°C	-40°C to +85°C	-40°C to +85°C
Temperature Coefficient of Pm	-0.47%/°K	-0.47%/°K	-0.47%/°K
Temperature Coefficient of Voc	-0.123V/°K	-0.123V/°K	-0.123V/°K
Temperature Coefficient of Isc	4.4mA/°K	4.4mA/°K	4.4mA/°K
Mechanical Parameters			
Length	1490mm	1660mm	1660mm
Width	990mm	990mm	990mm
Height	42mm	42mm	42mm
Weight	17.75Kg	20.5Kg	20.5Kg
Junction Box	IP65 (Weather Proof Nylon 6)		
Application Class	Safety Class II		
Front Glass	Tempered Glass (Low Iron)		
Cells	54 pcs poly-crystalline solar cells	60 pcs poly-crystalline solar cells	
Cell Encapsulation	Ethylene Vinyl Acetate (EVA)		
Back Cover	Composite Film		
Frame	Anodized Aluminum		
Guarantees and Certifications			
Product Warranty	5 Years		
Performance Guarantee	Guaranteed Power Output of 90% for 10 Years and 80% for 25 Years		
Certification	IEC 61215/IEC 61730		

APPLICATIONS:

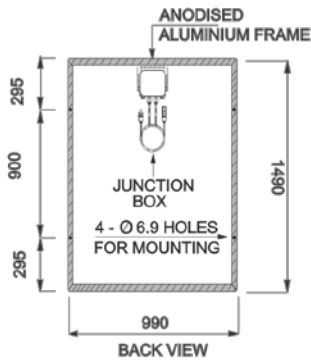
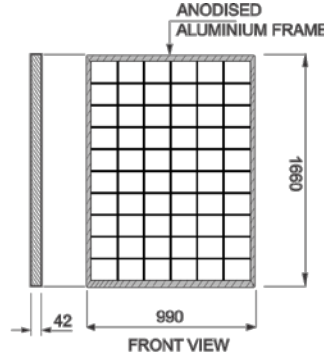
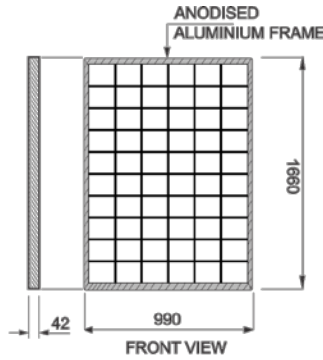
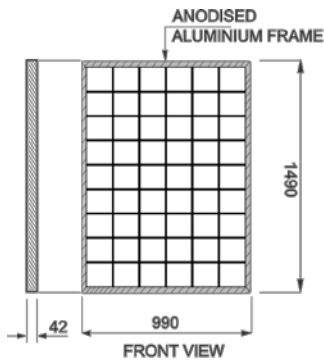
- Diesel Generator Alternative Using Solar Power Plants
- Lower Your Electric Bill Using Solar Power Stations

MOUNTING DETAILS

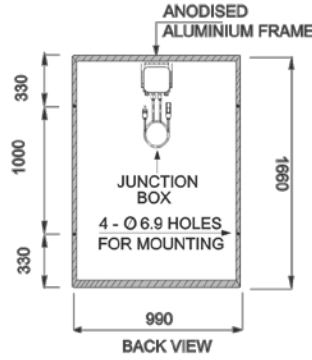
SPV-200W

SPV-220W

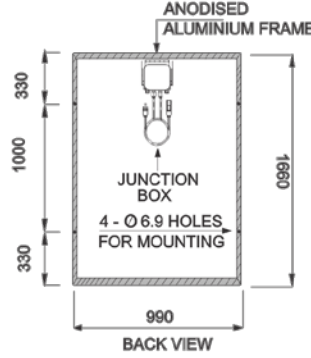
SPV-240W



Dimensions in mm (Not to scale)



Dimensions in mm (Not to scale)



Dimensions in mm (Not to scale)

Specifications included in this datasheet are subject to change without notice. Electric data without guarantee.

Contact India Office:

Victory Mansion, Sitaladevi Temple Road, Mahim, Mumbai – 400016
Ph: 022-6464-9090

Contact US Office:

509 Granger Terrace, Sunnyvale, CA – 94087
Ph: +1-408-431-0408

