

Photovoltaic Solar Panels 120W, 140W, 160W, 180W Sunipod SPV-120W, SPV-140W, SPV-160W, SPV-180W

Superior quality modules designed for long operational life.

HIGHLIGHTS

- Modules using high conversion efficiency solar poly-crystalline cells.
- Guaranteed power output with tolerance of $\pm 5\%$.
- 25-year limited power output warranty.*
- Meets IEC 61215/IEC 61730/TUV Safety Class II standards.
- Front Face: Tempered Glass (Low Iron).
- Frame: Anodized Aluminum.
- Junction Box: Weather Proof Nylon 6.
- All modules are supplied with screwless hollow section frames.



SPECIFICATIONS

	SPV-120W	SPV-140W	SPV-160W	SPV-180W
Electrical Parameters – All data refers to STC (AM1.5, 1000W/m², 25°C)				
Maximum Power (Pm)	120Wp	140Wp	160Wp	180Wp
Open Circuit Voltage (Voc)	21V	21V	43V	32V
Short Circuit Current (Isc)	7.62A	8.89A	4.96A	7.5A
Maximum Power Voltage (Vmp)	17V	17V	35V	26V
Maximum Power Current (Imp)	7.06A	8.24A	4.57A	6.73A
Maximum System Voltage	1000V	1000V	1000V	1000V
NOCT	45°C \pm 2°C	45°C \pm 2°C	45°C \pm 2°C	45°C \pm 2°C
Operating Temperature Range	-40°C to +85°C	-40°C to +85°C	-40°C to +85°C	-40°C to +85°C
Temperature Coefficient of Pm	-0.47%/°K	-0.47%/°K	-0.47%/°K	-0.47%/°K
Temperature Coefficient of Voc	-0.123V/°K	-0.123V/°K	-0.123V/°K	-0.123V/°K
Temperature Coefficient of Isc	4.4mA/°K	4.4mA/°K	4.4mA/°K	4.4mA/°K
Mechanical Parameters				
Length	1490mm	1490mm	1175mm	1490mm
Width	675mm	675mm	990mm	990mm
Height	35mm	35mm	35mm	42mm
Weight	11.75Kg	11.75Kg	14.45Kg	17.5Kg
Junction Box	IP65 (Weather Proof Nylon 6)			
Application Class	Safety Class II			
Front Glass	Tempered Glass (Low Iron)			
Cells	36 pcs poly-crystalline solar cells		72 pcs poly-crystalline solar cells	54 pcs poly-crystalline solar cells
Cell Encapsulation	Ethylene Vinyl Acetate (EVA)			
Back Cover	Composite Film			
Frame	Anodized Aluminum			
Guarantees and Certifications				
Product Warranty	5 Years			
Performance Guarantee	Guaranteed Power Output of 90% for 10 Years and 80% for 25 Years			
Certification	IEC 61215/IEC 61730			

APPLICATIONS:

- Diesel Generator Alternative Using Solar Power Plants
- Lower Your Electric Bill Using Solar Power Stations

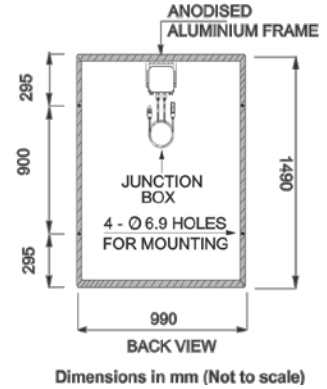
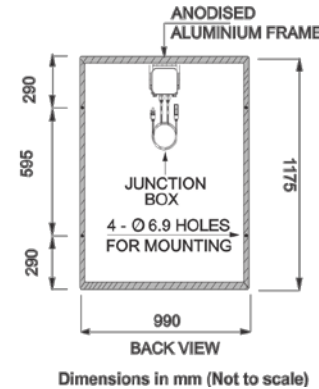
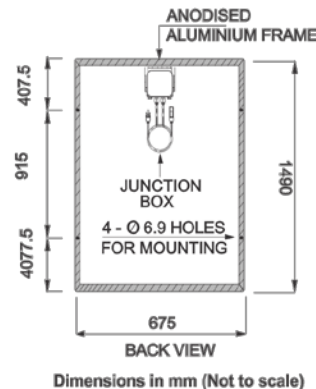
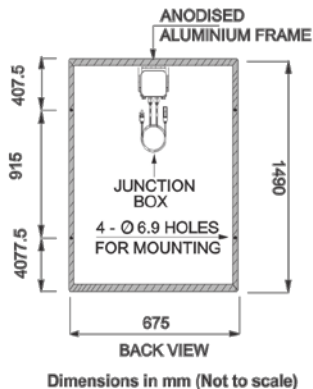
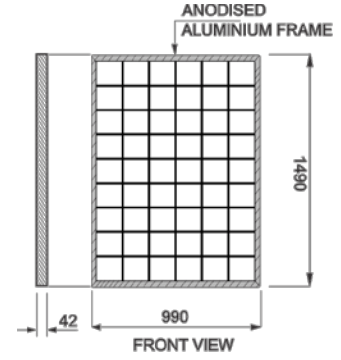
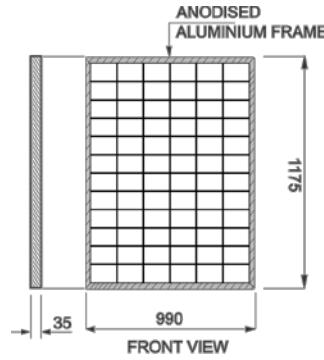
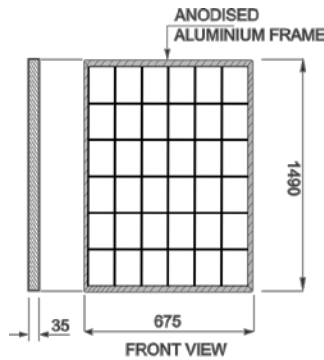
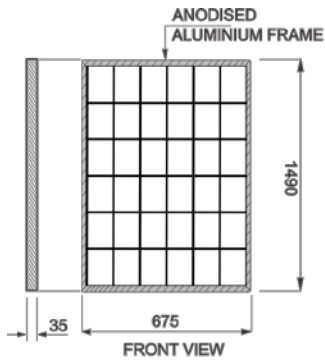
MOUNTING DETAILS

SPV-120W

SPV-140W

SPV-160W

SPV-180W



Specifications included in this datasheet are subject to change without notice. Electric data without guarantee.

Contact India Office:

Victory Mansion, Sitaladevi Temple Road, Mahim, Mumbai – 400016
Ph: 022-6464-9090

Contact US Office:

509 Granger Terrace, Sunnyvale, CA – 94087
Ph: +1-408-431-0408

