

Photovoltaic Solar Panels 70W, 80W, 90W, 100W Sunipod SPV-70W, SPV-80W, SPV-90W, SPV-100W

Superior quality modules designed for long operational life.

HIGHLIGHTS

- Modules using high conversion efficiency solar poly-crystalline cells.
- Guaranteed power output with tolerance of $\pm 5\%$.
- 25-year limited power output warranty.*
- Meets IEC 61215/IEC 61730/TUV Safety Class II standards.
- Front Face: Tempered Glass (Low Iron).
- Frame: Anodized Aluminum.
- Junction Box: Weather Proof Nylon 6.
- All modules are supplied with screwless hollow section frames.



SPECIFICATIONS

	SPV-70W	SPV-80W	SPV-90W	SPV-100W
Electrical Parameters – All data refers to STC (AM1.5, 1000W/m ² , 25°C)				
Maximum Power (Pm)	70Wp	80Wp	90Wp	100Wp
Open Circuit Voltage (Voc)	21V	21V	21V	21V
Short Circuit Current (Isc)	4.44A	5.08A	5.71A	6.35A
Maximum Power Voltage (Vmp)	17V	17V	17V	17V
Maximum Power Current (Imp)	4.12A	4.71A	5.29A	5.88A
Maximum System Voltage	600V	600V	600V	600V
NOCT	45°C \pm 2°C	45°C \pm 2°C	45°C \pm 2°C	45°C \pm 2°C
Operating Temperature Range	-40°C to +85°C	-40°C to +85°C	-40°C to +85°C	-40°C to +85°C
Temperature Coefficient of Pm	-0.47%/°K	-0.47%/°K	-0.47%/°K	-0.47%/°K
Temperature Coefficient of Voc	-0.123V/°K	-0.123V/°K	-0.123V/°K	-0.123V/°K
Temperature Coefficient of Isc	4.4mA/°K	4.4mA/°K	4.4mA/°K	4.4mA/°K
Mechanical Parameters				
Length	830mm	920mm	1035mm	1150mm
Width	675mm	675mm	675mm	675mm
Height	35mm	35mm	35mm	35mm
Weight	6.95Kg	8.3Kg	9Kg	10.15Kg
Junction Box	IP65 (Weather Proof Nylon 6)			
Application Class	Safety Class II			
Front Glass	Tempered Glass (Low Iron)			
Cells	36 pcs poly-crystalline solar cells			
Cell Encapsulation	Ethylene Vinyl Acetate (EVA)			
Back Cover	Composite Film			
Frame	Anodized Aluminum			
Guarantees and Certifications				
Product Warranty	5 Years			
Performance Guarantee	Guaranteed Power Output of 90% for 10 Years and 80% for 25 Years			
Certification	IEC 61215/IEC 61730			

APPLICATIONS:

- Diesel Generator Alternative Using Solar Power Plants
- Lower Your Electric Bill Using Solar Power Stations

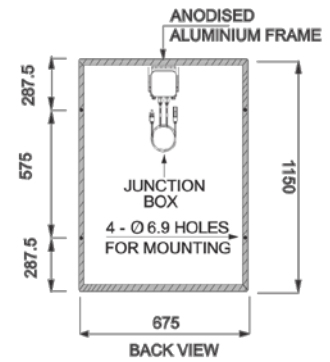
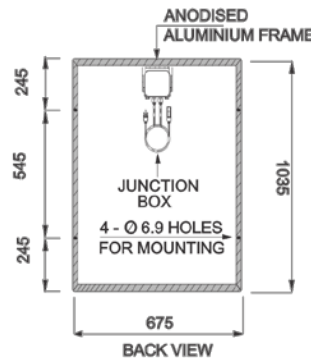
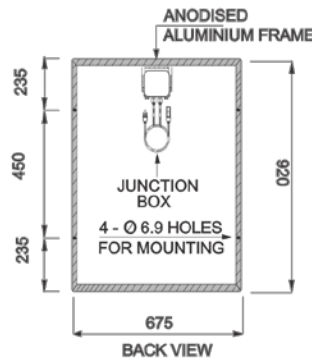
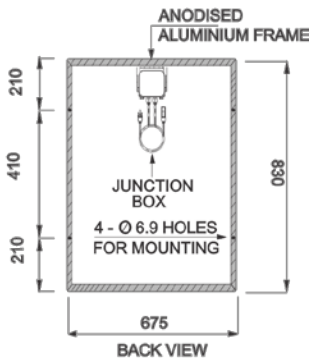
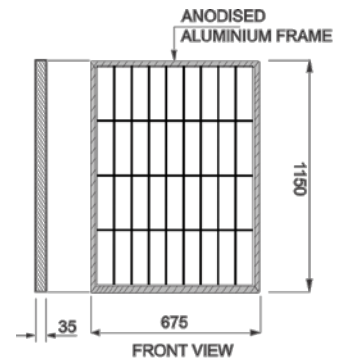
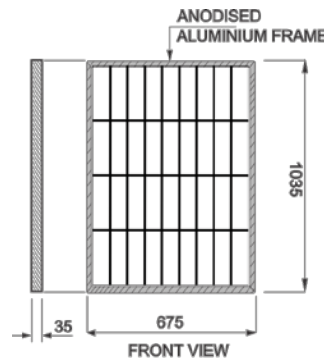
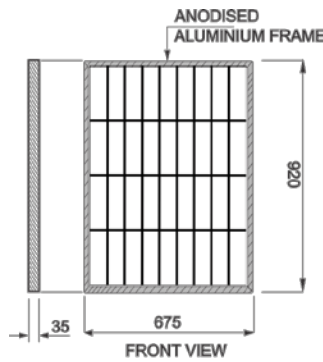
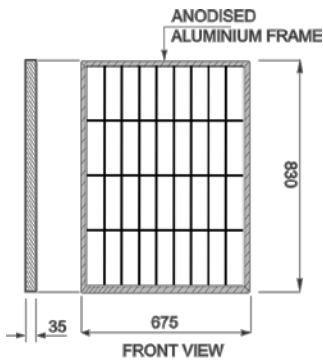
MOUNTING DETAILS

SPV-70W

SPV-80W

SPV-90W

SPV-100W



Dimensions in mm (Not to scale)

Dimensions in mm (Not to scale)

Dimensions in mm (Not to scale)

Dimensions in mm (Not to scale)

Specifications included in this datasheet are subject to change without notice. Electric data without guarantee.

Contact India Office:

Victory Mansion, Sitaladevi Temple Road, Mahim, Mumbai – 400016
Ph: 022-6464-9090

Contact US Office:

509 Granger Terrace, Sunnyvale, CA – 94087
Ph: +1-408-431-0408

